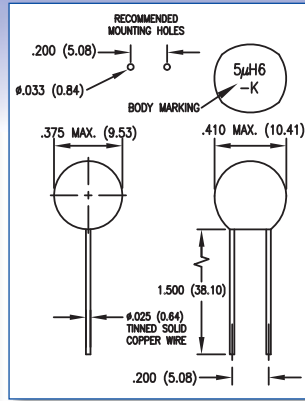
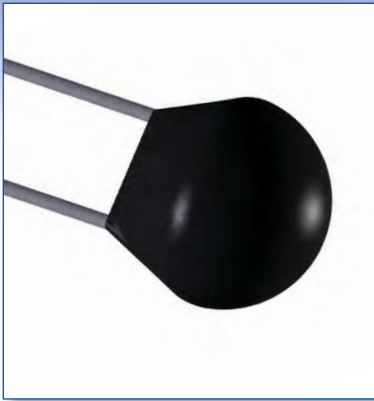


RF CHOKES - EPOXY DIPPED

Dimensions in inches (mm)



Inductance Tolerance Coded Dash Numbers

-01	±5%	J	To Order
-02	±10%	K	Standard

How to order code

553 - 3635 - XX - XX - 00

Basic Part No. Inductance Tolerance Inductance Code

Basic Part No.	Body Marking Inductance & Tolerance	"Q" Min.	Test Frequency (MHz)	DCR Max. (Ω)	DC Max. (mA)	Incremental Current (mA)	SRF Min. (MHz)
-01	1µH0-K	80	7.9	0.070	2100	2100	144
-02	1µH2-K	80	7.9	0.070	2100	2100	135
-03	1µH5-K	80	7.9	0.100	1800	1800	117
-04	1µH8-K	80	7.9	0.130	1650	1650	100
-05	2µH2-K	80	7.9	0.140	1550	1500	90.0
-06	2µH7-K	80	7.9	0.180	1450	1450	81.0
-07	3µH3-K	80	7.9	0.200	1350	1350	72.0
-08	3µH9-K	80	7.9	0.220	1250	1250	58.0
-09	4µH7-K	80	7.9	0.250	1250	1250	45.0
-10	5µH6-K	80	7.9	0.330	1150	1150	40.0
-11	6µH8-K	80	7.9	0.370	950	950	34.0
-12	8µH2-K	80	7.9	0.430	900	900	32.0
-13	10µH-K	80	7.9	0.470	870	870	29.0
-14	12µH-K	90	2.5	0.500	870	290	32.0
-15	15µH-K	90	2.5	0.520	850	260	30.0
-16	18µH-K	90	2.5	0.550	800	240	22.0
-17	22µH-K	90	2.5	0.600	750	220	20.0
-18	27µH-K	90	2.5	0.600	720	200	14.0
-19	33µH-K	90	2.5	0.650	700	185	11.0
-20	39µH-K	90	2.5	0.700	650	167	10.0
-21	47µH-K	90	2.5	0.800	630	156	9.00
-22	56µH-K	85	2.5	0.900	600	142	9.00
-23	68µH-K	85	2.5	1.10	570	132	8.00
-24	82µH-K	80	2.5	1.20	550	116	7.50
-25	mH10-K	80	2.5	1.30	500	110	7.00
-26	mH12-K	90	0.79	1.40	480	102	6.20
-27	mH15-K	90	0.79	1.60	450	88.0	5.00
-28	mH18-K	90	0.79	1.80	430	80.0	4.50
-29	mH22-K	90	0.79	2.00	430	78.0	4.20
-30	mH27-K	90	0.79	2.30	380	75.0	4.00
-31	mH33-K	90	0.79	2.70	350	68.0	3.70
-32	mH39-K	90	0.79	3.00	330	62.0	3.40
-33	mH47-K	90	0.79	3.30	310	56.0	3.00
-34	mH56-K	80	0.79	3.50	300	51.0	3.00
-35	mH68-K	80	0.79	4.50	280	46.0	2.80
-36	mH82-K	80	0.79	7.50	225	42.0	2.50
-37	1mH0-K	80	0.79	8.50	220	38.0	2.30
-38	1mH2-K	70	0.25	9.00	200	33.0	2.00
-39	1mH5-K	70	0.25	9.50	190	28.0	1.80
-40	1mH8-K	70	0.25	14.0	150	25.0	1.50
-41	2mH2-K	70	0.25	15.0	150	23.0	1.35
-42	2mH7-K	70	0.25	17.0	135	21.0	1.25
-43	3mH3-K	70	0.25	20.0	125	19.0	1.10
-44	3mH9-K	70	0.25	23.0	120	17.0	1.00
-45	4mH7-K	70	0.25	27.0	110	16.0	0.90
-46	5mH6-K	65	0.25	48.0	91	15.0	0.85
-47	6mH8-K	60	0.25	55.0	86	13.0	0.75
-48	8mH2-K	60	0.25	70.0	69	12.0	0.72
-49	10mH-K	60	0.25	75.0	69	11.0	0.70
-50	12mH-K	40	0.079	80.0	69	10.5	0.60
-51	15mH-K	40	0.079	95.0	61	9.50	0.50
-52	18mH-K	40	0.079	110	55	7.50	0.48
-53	22mH-K	40	0.079	150	49	7.00	0.42
-54	27mH-K	35	0.079	190	43	6.50	0.39
-55	33mH-K	35	0.079	220	39	6.00	0.36
-56	39mH-K	35	0.079	250	37	5.00	0.30
-57	47mH-K	30	0.079	300	33	4.70	0.27
-58	56mH-K	30	0.079	350	31	4.30	0.26
-59	68mH-K	30	0.079	380	30	3.90	0.25
-60	82mH-K	25	0.079	500	26	3.50	0.21
-61	H10-K	25	0.079	550	25	3.20	0.19

Temperature Range: -55°C to +105°C

For RoHS Compliant add suffix -LF to the part number
Incremental current, decreases inductance by 5%